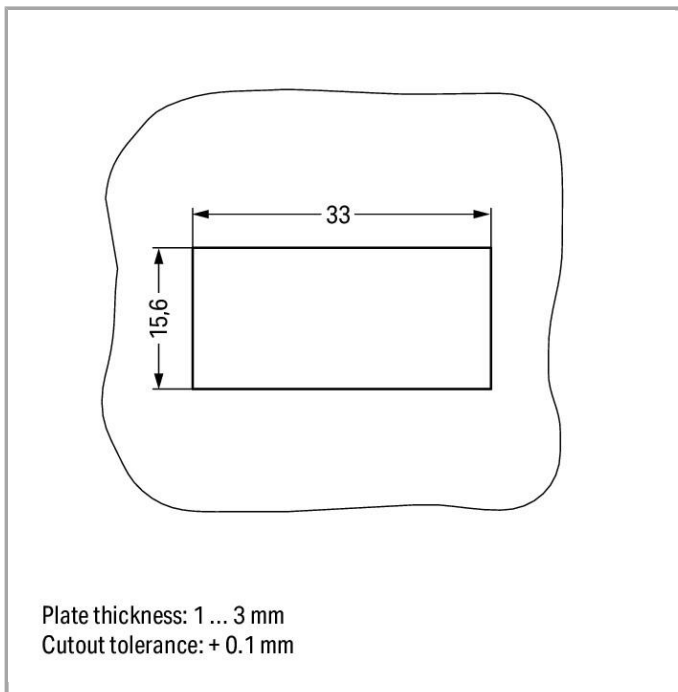
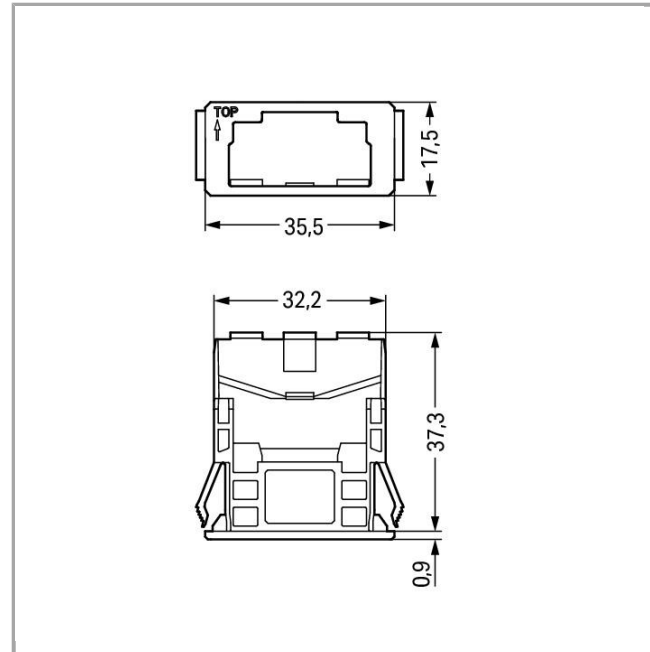
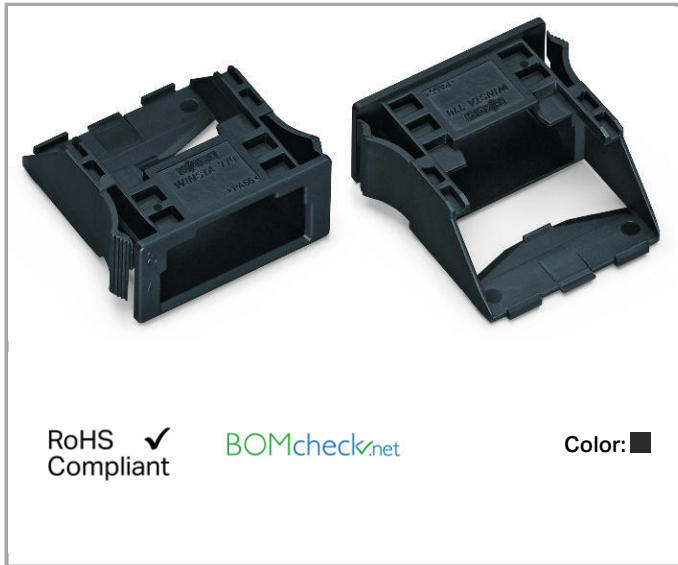


Data sheet | Item number: 770-318
Snap-in frame; 3-pole; 1.0 ... 3.0 mm



770-318



Data

Electrical data

Note on Contact Resistance



approx. 1mΩ contact resistance

approx. 0.25mΩ contact transition plug/socket

Geometrical Data

Width	35.5 mm / 1.398 inch
Height	17.5 mm / 0.689 inch
Depth	38.75 mm / 1.526 inch

Mechanical data

Gehäuseblechstärke	1 ... 3 mm / 0.039 ... 0.118 inch
Mounting type	Snap-in
Protection class	IP20
Note on protection class	Only in mated condition with strain relief housing (These compact connectors are not designed for use in open, easily accessible areas.)

Plug connection

Mismating protection	Yes
Locking of plug-in connection	locking lever

Material Data

Color	black
Insulating material	Polyamide 66 (PA 66)
Flammability class per UL94	V0
Contact material	Copper or copper alloy, surface-treated
Fire load	0.098 MJ
Weight	3.26 g

Environmental Requirements

Surrounding air (operating) temperature	-35 ... 85 °C
Processing temperature	-5 ... +40 °C
Continuous operating temperature	-35 ... +85 °C
Note on Continuous Service Temperature	Insulating parts for temperatures ≤ 105 °C

Commercial data

Product Group	20 (WINSTA)
Country of origin	DE



GTIN	4045454777548
Customs Tariff No.	39269097900

Compatible products

Locking lever



Item no.: 770-140	770-140
Locking lever; for sockets; for manual operation	

Downloads

Documentation

Bid Text

770-318	Apr 4, 2012	doc	Download
WINSTA MIDI 3-polig		23.6 kB	

CAD/CAE - Smart Data

CAD data

3D Download 770-318	URL	Download
---------------------	-----	----------

Subject to changes.